

# *Hush Houses*

INTEGRITY - SERVICE - EXCELLENCE

AMERICA'S AIR FORCE



**Kristopher Robbins**

**Program Manager**

**542<sup>d</sup> CSW SEVSG / GBZAS**

---

*Integrity - Service - Excellence*

# Overview

INTEGRITY - SERVICE - EXCELLENCE

AMERICA'S AIR FORCE



- **Types**
- **Component Breakdown**
- **Requirements**
- **Program Budget**
- **Program Issues**

---

*Integrity - Service - Excellence*

# Types

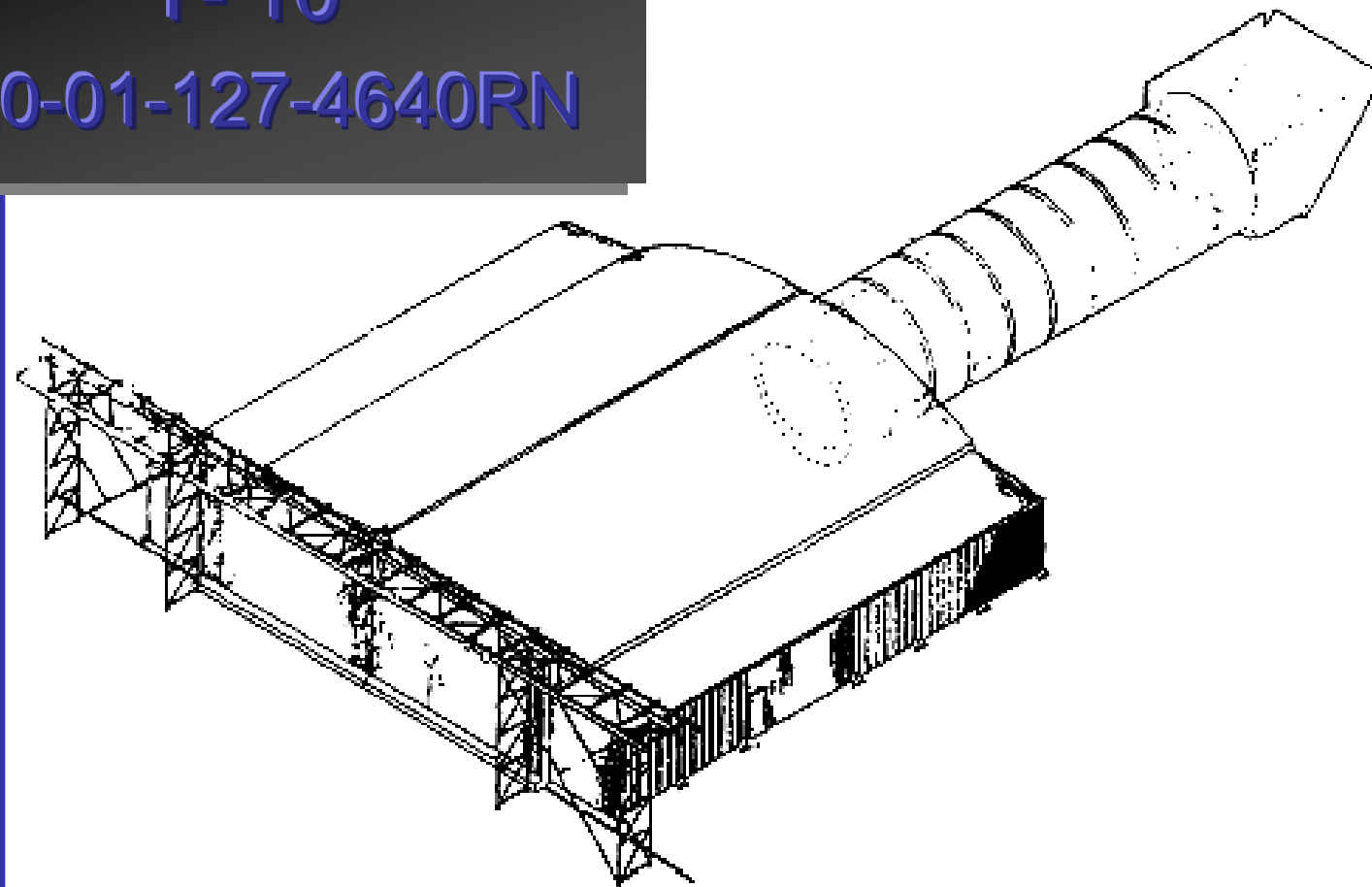
INTEGRITY - SERVICE - EXCELLENCE

AMERICA'S AIR FORCE



T-10

4920-01-127-4640RN



*Integrity - Service - Excellence*

# Types

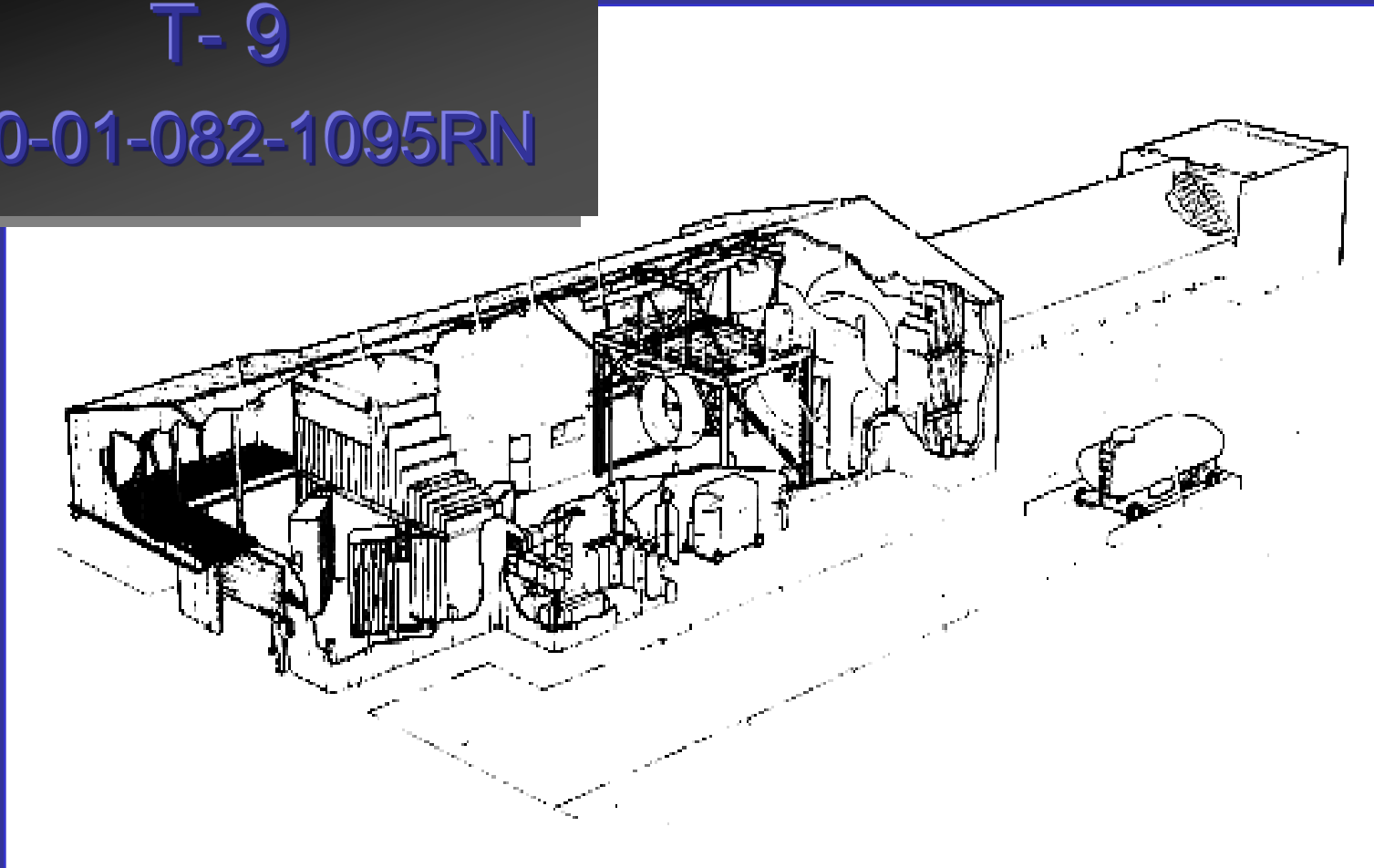
INTEGRITY - SERVICE - EXCELLENCE

AMERICA'S AIR FORCE



T-9

4920-01-082-1095RN



*Integrity - Service - Excellence*

# Types

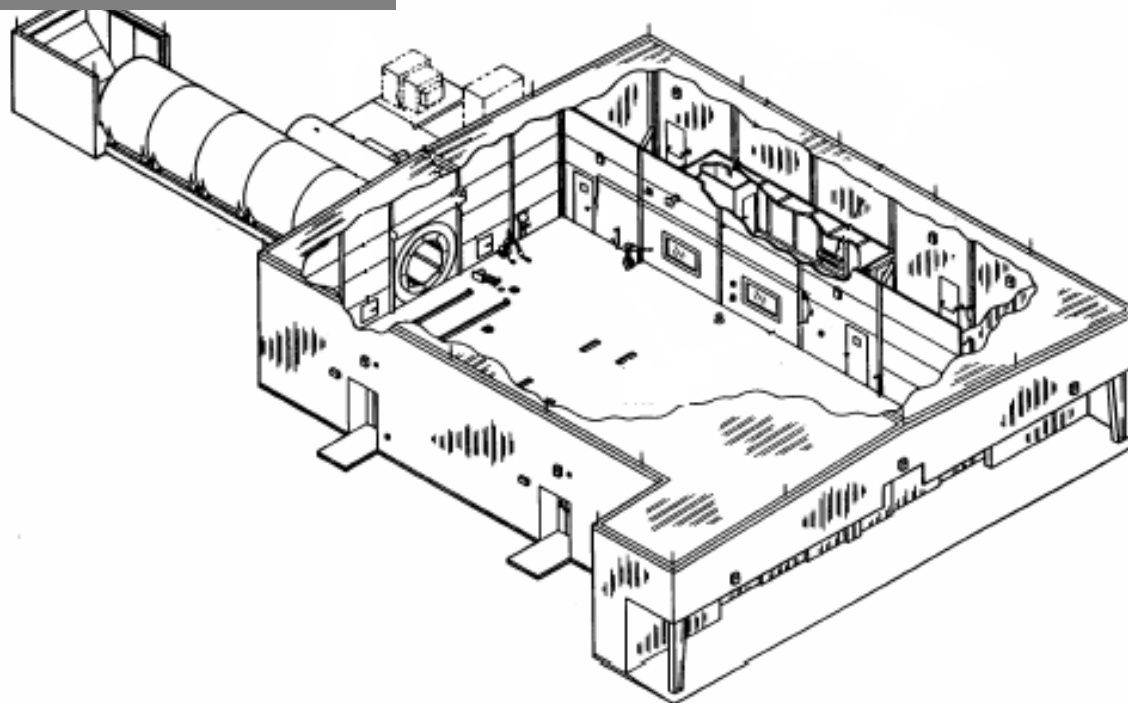
INTEGRITY - SERVICE - EXCELLENCE

AMERICA'S AIR FORCE



T-12

4920-01-286-8681RN



*Integrity - Service - Excellence*

# Types

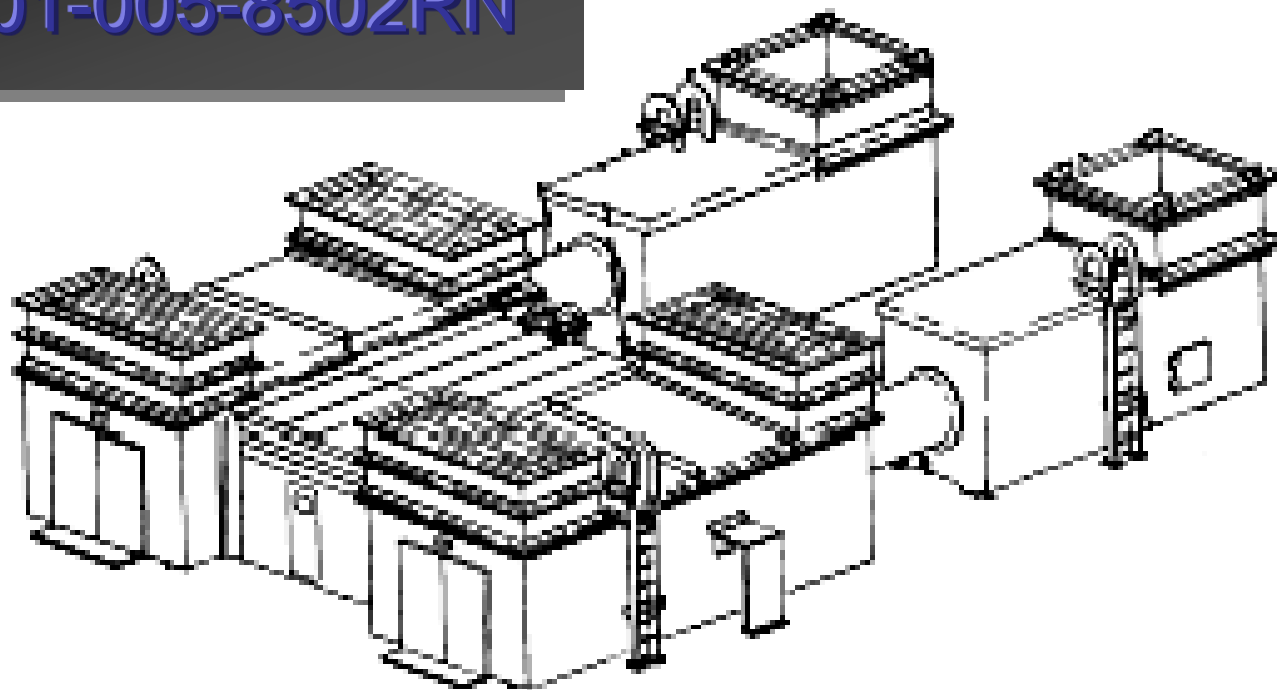
INTEGRITY - SERVICE - EXCELLENCE

AMERICA'S AIR FORCE



T-4

4920-01-005-8502RN



*Integrity - Service - Excellence*

# Types

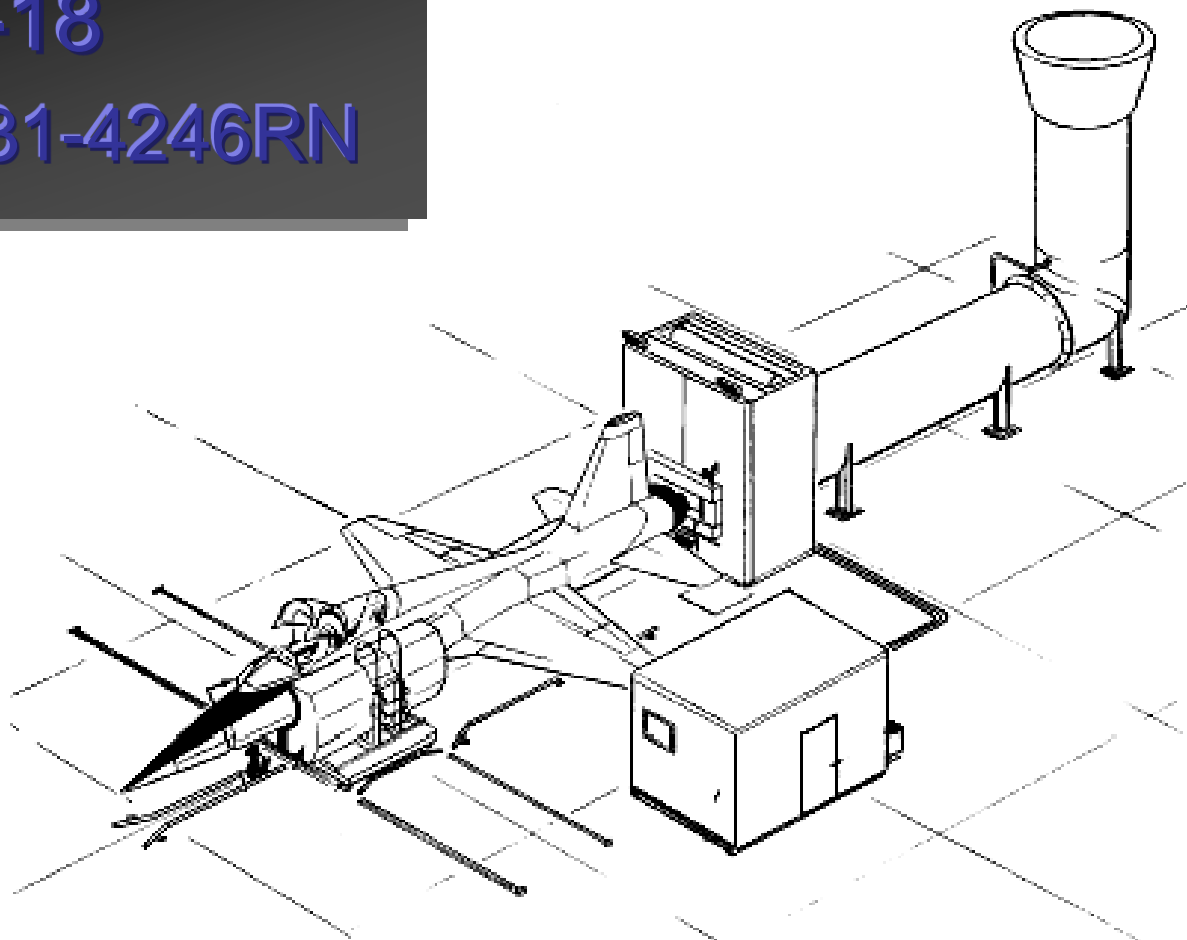
INTEGRITY - SERVICE - EXCELLENCE

AMERICA'S AIR FORCE



A-18

4920-01-431-4246RN



*Integrity - Service - Excellence*

# Section Breakdown

INTEGRITY - SERVICE - EXCELLENCE

AMERICA'S AIR FORCE

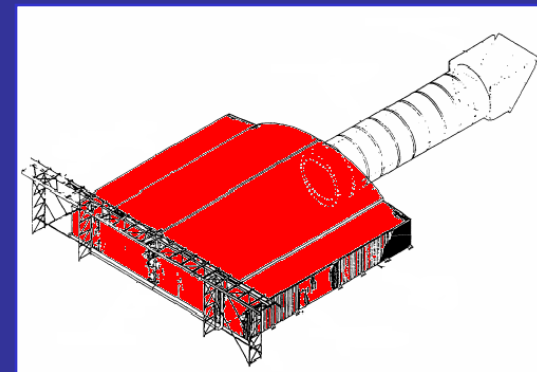
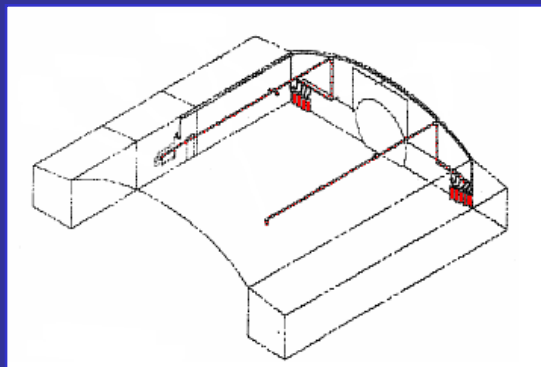
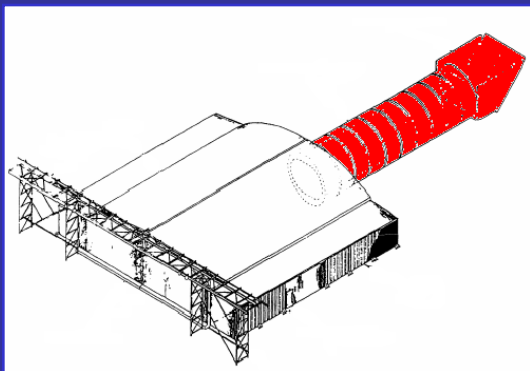


3 Main Sections

Augmentor &  
Deflector

FSS

Operational &  
Structural



*Integrity - Service - Excellence*

# Program Environment

INTEGRITY - SERVICE - EXCELLENCE

AMERICA'S AIR FORCE



## ■ Hush Houses by MAJCOM

MAJCOM	T-10/T-11	T-12	T-9	T-4	A-18
ACC	20	0	8	1	2
AETC	6	5	0	5	8
AFMC	4	0	3	0	0
AFRC	6	0	0	0	0
AMC	4	0	3	1	0
ANG	41	0	14	0	0
PACAF	8	0	0	0	0
USAFE	10	0	2	0	0
TOTAL	99	5	30	7	10

*Integrity - Service - Excellence*

# *Requirements Roadmap*

INTEGRITY - SERVICE - EXCELLENCE

AMERICA'S AIR FORCE



- **Fire Suppression System (FSS)**
  - Replacement for Halon 1301
  - Halon bottle refurbishment program
  - Manual Actuation system program
  
- **Operational / Structural Program**
  - Web-based Trouble Reporting System
  - Integrating contractor
  - Parts Obsolescence & Diminishing Manufacturing Sources

# Program Budget

INTEGRITY - SERVICE - EXCELLENCE

AMERICA'S AIR FORCE



---

	Acquisition	Sustainment
--	-------------	-------------

- |         |  |         |
|---------|--|---------|
| ■ FY 05 |  | \$17.8M |
| ■ FY 06 |  | \$18M   |
| ■ FY 07 |  | \$15M   |
| ■ FY 08 |  | \$11M   |
| ■ FY 09 |  | \$11M   |

---

*Integrity - Service - Excellence*

# *Program Issues*

INTEGRITY - SERVICE - EXCELLENCE

AMERICA'S AIR FORCE



- **Configuration Management**
- **Reprocurement of Engineering data**
- **Scheduled & Unscheduled Repair Process**
- **Fire Suppression System**
  - Halon bottle refilling process
  - Halon 1301 replacement
  - Pneumatic actuation system
- **Parts Obsolescence**
- **Diminishing Manufacturing Sources**